



Supply the original instrument model code and serial number when ordering

#### Instructions

Select the desired key number. The arrow to the right marks the selection available.  
Make the desired selections from Tables I through VI using the column below the proper arrow. A dot (•) denotes availability.

Table	I	II	III	IV	V
XM71	- 4	-----	-----	- V -	-----

#### KEY NUMBER

KEY NUMBER	Description
XM71	

Selection	Availability
XM71	↓

#### TABLE I

Level Meter Code
4

4	•
---	---

#### TABLE II

<b>Approvals</b>	Without ATEX II G/D 1, 1/2, 2 Ex ia IIC T6 ATEX II G/D 1/2, 2 Ex d ia IIC T6 FM IS Cl. I, II, III Div. 1,2 Gr. A-G Dual Seal FM XP Cl. I, II, III Div. 1,2 Gr. A-G Dual Seal ATEX II 3G Ex nA II T3...T6 NEPSI Ex ia IIC T3...T6 NEPSI Ex dia IIC T3...T6 CSA IS Cl. I, II, III Div. 1,2 Gr. A-G + Dual seal CSA XP Cl. I, II, III Div. 2 Gr. A-G + Dual seal IECEX Zone 0 Ex ia IIC T3...T6, Ex iaD 20 IECEX Zone 0/1 Exd [ia] IIC T3...T6, Ex tD [iaD] A21/20	Approval selection must match the approval designation of the original meter
<b>Material Process Connection and Probe</b>	Without 316L / 1.4404 - 40 bar Hastelloy C-22 / 2.4602 - 40 bar 316L / 1.4404 - 100 bar Hastelloy C-22 / 2.4602 - 100 bar	
<b>Probe</b>	Without Single rod dia. 8 mm (0.31"); length 1 m (3.28') min. to 4 m (13.12') max. Double rod dia. 8 mm (0.31"); length 1 m (3.28') min. to 4 m (13.12') max. Coax dia. 22 mm (0.87"); length 1 m (3.28') min. to 6 m (19.69') max. Single cable dia. 4 mm (0.16"); length 1 m (3.28') min. to 35m (114.83') max. Single cable dia. 8 mm (0.31"); length 1 m (3.28') min. to 35 m (114.83') max. Double cable dia. 4 mm (0.16"); length 1 m (3.28') min. to 8 m (26.25') max. Single cable Ø 4 mm / 0.16 inch FEP coated (1mm) max. 35 m / 114.83 ft Segmented single rod Ø 8mm Segmented coax Ø 22mm	Probe lengths are available in 3.94" (100 mm) increments. Refer to Length table
<b>Probe End Type</b>	Without (rod & coax version) Counterweight 12 mm (0.47") x 100 mm (3.94"); Single cable 8 mm (0.31") Counterweight 38 mm (1.5") x 245 mm (9.65"); Single cable 8 mm (0.31") Counterweight 20 mm (0.79") x 100 mm (3.94"); Single cable 4 mm (0.16") Counterweight 38 mm (1.5") x 60 mm (2.36"); Double cable 4 mm (0.16") Turnbuckle Chuck Threaded end Crimped end Open end	Refer to probe table. Based on Material, Probe and Probe End Type, only add price once per the required combination
<b>Feedthrough / Temperature / Sealing</b>	Without Standard: -40°C (-40°F)...+200°C (392°F), 40 bar (580 psi) max. / FKM/FPM Standard: -20°C (-4°F)...+200°C (392°F), 40 bar (580 psi) max. / Kalrez 6375 Standard: -50°C (-58°F)...+150°C (302°F), / EPDM	

0	a
2	r
3	p
6	•
7	•
A	r
E	r
F	p
H	•
K	•
M	r
N	p
- 0 -	•
- 1 -	•
- 2 -	b
- 3 -	•
- 4 -	b
- 0 -	•
- 1 -	c
- 2 -	d
- 3 -	e
- 4 -	f
- 5 -	g
- 6 -	h
- 8 -	z
- M -	c
- S -	e
- 0 -	•
- 1 -	•
- 2 -	•
- 3 -	•
- 4 -	•
- A -	•
- B -	•
- C -	•
- D -	•
- E -	•
- 0 -	•
- 1 -	•
- 2 -	•
- 5 -	•

TABLE III	Description	Selection	Availability
Process Connection EN	Without	000_	•
	G 3/4" A ISO229	100_	•
	G 1" A ISO228	200_	•
	G 1 1/2" A ISO228	300_	•
	DN 25 PN 40 Form B1 EN1092	400_	•
	DN 40 PN 40 Form B1 EN1092	500_	•
	DN 50 PN 40 Form B1 EN1092	600_	•
	DN 80 PN 40 Form B1 EN1092	700_	•
	DN 100 PN 16 Form B1 EN1092	800_	•
	DN 100 PN 40 Form B1 EN1092	A00_	•
	DN 150 PN 16 Form B1 EN1092	B00_	•
	DN 150 PN 40 Form B1 EN1092	C00_	•
	DN50 PN63 Form B1 EN1092	D00_	•
	DN80 PN63 Form B1 EN1092	E00_	•
	DN100 PN63 Form B1 EN1092	F00_	•
	DN25 PN63/PN100 Form B1 EN1092	K00_	•
	DN40 PN63/PN100 Form B1 EN1092	L00_	•
	DN50 PN100 Form B1 EN1092	M00_	•
	DN80 PN100 Form B1 EN1092	N00_	•
	DN100 PN100 Form B1 EN1092	P00_	•
DN150 PN63 Form B1 EN1092	R00_	•	
DN150 PN100 Form B1 EN1092	S00_	•	
Process Connection ASME	3/4" NPT	010_	•
	1" NPT	020_	•
	1 1/2" NPT	030_	•
	1" 150 lb RF ASME B16.5	040_	•
	1 1/2" 150 lb RF ASME B16.5	050_	•
	1 1/2" 300 lb RF ASME B16.5	060_	•
	2" 150 lb RF ASME B16.5	070_	•
	2" 300 lb RF ASME B16.5	080_	•
	3" 150 lb RF ASME B16.5	0A0_	•
	3" 300 lb RF ASME B16.5	0B0_	•
	4" 150 lb RF ASME B16.5	0C0_	•
	4" 300 lb RF ASME B16.5	0D0_	•
	6" 150 lb RF ASME B16.5	0E0_	•
	8" 150 lb RF ASME B16.5	0F0_	•
	6" 300 LBS RF ASME B16.5	0G0_	•
	1" 600LBS RF ASME B16.5	0M0_	•
	1" 1/2 600LBS RF ASME B16.5	0N0_	•
	2" 600LBS RF ASME B16.5	0P0_	•
	3" 600LBS RF ASME B16.5	0R0_	•
	4" 600LBS RF ASME B16.5	0S0_	•
1" 900LBS/1500LBS RF ASME B16.5	0T0_	•	
1" 1/2 900LBS/1500LBS RF ASME B16.5	0U0_	•	
2" 900LBS/1500LBS RF ASME B16.5	0V0_	•	
3" 900LBS RF ASME B16.5	0W0_	•	
4" 900LBS RF ASME B16.5	0X0_	•	
Process Connection Other	10K 40A RF JIS B2220	005_	•
	10K 50A RF JIS B2220	006_	•
	10K 80A RF JIS B2220	007_	•
	10K 100A RF JIS B2220	008_	•
Electronic Module	Without	___0	•
	Terminal module (Non-Ex or Ex i) + screws	___3	k
	Backend (1 output) + High frequency module	___4	•
	HMI cover + cable (Aluminium)	___5	m
	Complete head with HMI (Aluminium)	___6	n
	Complete head with blind cover (Aluminium)	___7	w
	Complete head with HMI (Stainless steel)	___8	n
	Complete housing with HMI + electronic module (Aluminium)	___A	n
	Complete head with blind cover (Stainless steel)	___C	w
	Complete housing with HMI + electronic module (Stainless steel)	___D	n
Terminal module (Ex d) + screws	___E	x	
HMI cover + cable (Stainless steel)	___F	m	

TABLE IV

		Selection	Availability
<b>Output</b>	Without Output: 4...20mA (Hart) 1 Output: 4...20mA (Hart) + Interface 2 Outputs 4...20mA (Hart) + 4...20mA 2 Outputs 4...20mA (Hart) + 4...20mA + Interface	0 ---- 1 ---- 2 ---- 3 ---- 4 ----	• • • • •
<b>HMI (display &amp; keys)</b>	Without English German French Italian Spanish Portugese Japanese Chinese (Mandarin) Russian	_ 0 _ _ _ _ 1 _ _ _ _ 2 _ _ _ _ 3 _ _ _ _ 4 _ _ _ _ 5 _ _ _ _ 6 _ _ _ _ 7 _ _ _ _ 8 _ _ _ _ A _ _ _	• • • • • • • • • •
<b>Version</b>	Honeywell	_ _ V _ _	•
<b>Accessories</b>	Without Stainless steel weather protection <b>n°13</b> Cable entry M20x1,5 (ALU) M25x1,5 (SS) / without gland Screws + gaskets (kit for 1 unit) <b>n° 3 + 4 + 6 + 8 + 10</b> Wiring compartment cover + gasket <b>n° 9 + 10</b> Cable entry 1/2" NPT / without gland Cable entry G 1/2" / without gland (not for Sst housing) Cable entry M20x1,5 (ALU) M25x1,5 (SS) / plastic gland (Std: black, Ex ia:blue) Cable entry M20x1,5 (ALU) M25x1,5 (SS) / metal gland (Ex d devices only) Beige plastic sun shade <b>n° 11 + 12</b> Blind cover + gasket + screws <b>n° 2 + 3 + 4</b> Converter VIATOR RS232 / HART Converter USB / HART ESD protection 30KV Metaglas® sealing	--- 0 _ --- 1 _ --- 2 _ --- 3 _ --- 4 _ --- 5 _ --- 6 _ --- 7 _ --- 8 _ --- A _ --- B _ --- C _ --- D _ --- F _ --- G _	• • • • • • • • • • • • • • •
<b>Housing Option</b>	Without Remote Version / 2 m (2180mm; 6.56 ft.) Remote Version / 4.5 m (4720 mm; 14.76 ft.) Remote Version / 9.5 m (9800 mm; 31.17 ft.) Remote Version / 14.5 m ( 14880 mm; 47.57 ft.)		<b>For Available Probe Lengths based on the remote electronics selected, refer to the length table.</b>
		--- 0 --- 3 --- 4 --- 5 --- 6	• s t u v

TABLE V

Probe Length			
	Ordered in 100mm increments, minimum length 1000mm	--- 0 0	see length table

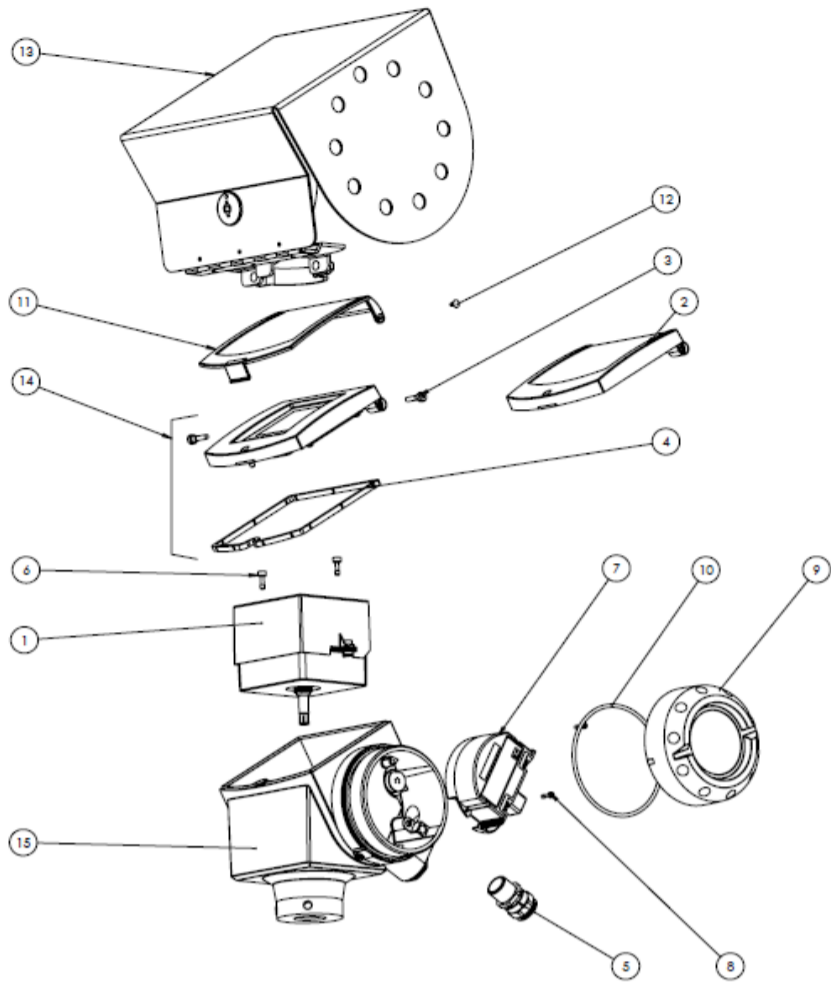
RESTRICTIONS

Restrictions	Available only with		Not Available with	
	Letter	Table Selection	Table	Selection
a			IV	___8_
b			II	___5_ , ___6_ , ___8_ , ___1_ , ___2_ , ___4_ , ___A_ , ___B_
c	II	___0_		
d	II	___0_	III	100_ , 200_ , 400_ , 500_ , K00_ , L00_ , 010_ , 020_ , 040_ , 050_ , 060_ , 0M0_ , 0N0_ , 0T0_ , 0U0_ , 005_
			IV	___F_
e	II	___0_	IV	___F_
f			II	___0_ , ___1_ , ___2_ , ___4_
g			II	_3_ , _4_ , ___0_ , ___3_ , ___4_ , ___5_
	IV	0_ , 1_ , 3_ , A_ , D_	III	100_ , 200_ , 400_ , K00_ , 010_ , 020_ , 040_ , 0M0_ , 0T0_
			IV	_5_ , _6_
h	II	___4_ , ___A_ , ___C_		
			III	100_ , 200_ , 400_ , 500_ , K00_ , L00_ , 010_ , 020_ , 040_ , 050_ , 060_ , 0M0_ , 0N0_ , 0T0_ , 0U0_ , 005_
			IV	___F_
k			II	3_ , 7_ , K_
			IV	0_
m			IV	_0_
n			IV	00_
p			IV	___7_ , ___F_
r			IV	___8_ , ___F_

Additional restrictions can be found on page 4

## RESTRICTIONS

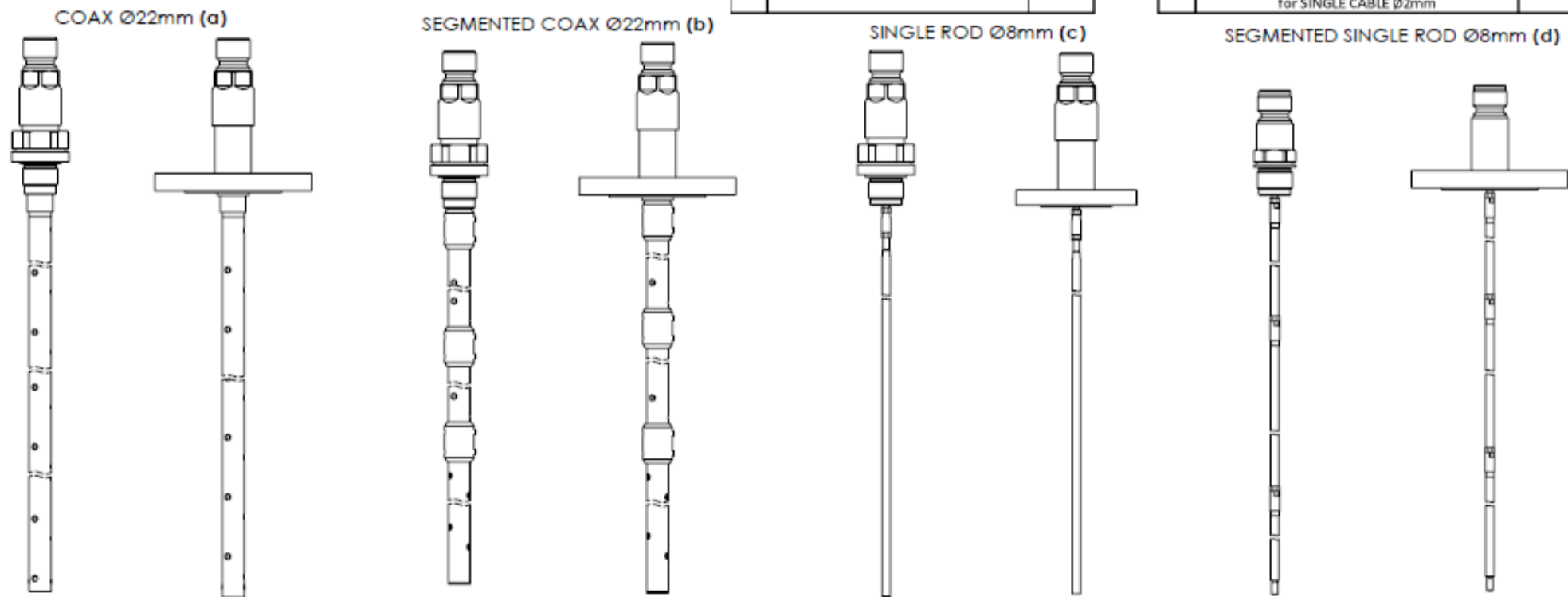
Restrictions		Available only with		Not Available with	
Letter	Table	Selection	Table	Selection	
s	II	__ 1 __, __ 2 __, __ M __			
	V	maximum probe length 4 m			
		or			
	II	__ 3 __, __ S __			
	V	maximum probe length 6 m			
		or			
	II	__ 6 __			
	V	maximum probe length 8 m			
t		or			
	II	__ 4 __, __ 5 __, __ 8 __			
	V	maximum probe length 30 m			
	II	__ 1 __, __ 2 __, __ M __			
	V	maximum probe length 4 m			
		or			
	II	__ 3 __, __ S __			
	V	maximum probe length 6 m			
u		or			
	II	__ 6 __			
	V	maximum probe length 8 m			
		or			
	II	__ 4 __, __ 5 __, __ 8 __			
	V	maximum probe length 25 m			
	II	__ 1 __, __ 2 __, __ M __			
	V	maximum probe length 4 m			
v		or			
	II	__ 3 __, __ S __			
	V	maximum probe length 6 m			
		or			
	II	__ 6 __			
	V	maximum probe length 8 m			
		or			
	II	__ 4 __, __ 5 __, __ 8 __			
V	maximum probe length 15 m				
w	II	__ 1 __, __ 2 __, __ M __			
	V	maximum probe length 4 m			
		or			
	II	__ 3 __, __ S __			
	V	maximum probe length 5 m			
		or			
	II	__ 6 __			
	V	maximum probe length 5 m			
x		or			
	II	__ 4 __, __ 5 __, __ 8 __			
	V	maximum probe length 5 m			
	II	__ 4 __, __ 5 __, __ 8 __			
	V	maximum probe length 5 m			
	IV	0 ____			
	II	3 ____, 7 ____, K ____	IV	0 ____	
	z	II	__ 1 __, __ 2 __	II	__ 0 __, __ 1 __, __ 2 __, __ 4 __, __ A __, __ B __



Rep.	Reference	Description	Quantity
1	400659401	ELECTRONIC MODULE	1
2	F3177240100	BLIND COVER	1
3	F3177340000	SCREWS FOR COVER	2
4	F3177420000	COVER GASKET	1
5	VOIR TABLEAU 1	CABLE GLAND	1
6	F3177360100	SCREW FOR BACK END ELECTRONIC	2
7	VOIR TABLEAU 2	TERMINAL MODULE	1
8	F3177350000	SCREWS FOR TERMINAL MODULE	2
9	F3177260100	WIRING COMPARTMENT COVER	1
10	F5091150000	WIRING COMPARTMENT COVER SEAL	1
11	F3179980000	BLUE PLASTIC SUN SHADE	1
12	F3179990000	PINS FOR PLASTIC SUN SHADE	2
13	F2096340000	STAINLESS STEEL WEATHER PROTECTION	1
14	XF71400000000500100	HMI COVER AND CABLE (OF 1300)	1
15	F3177280100	HOUSING BODY	1

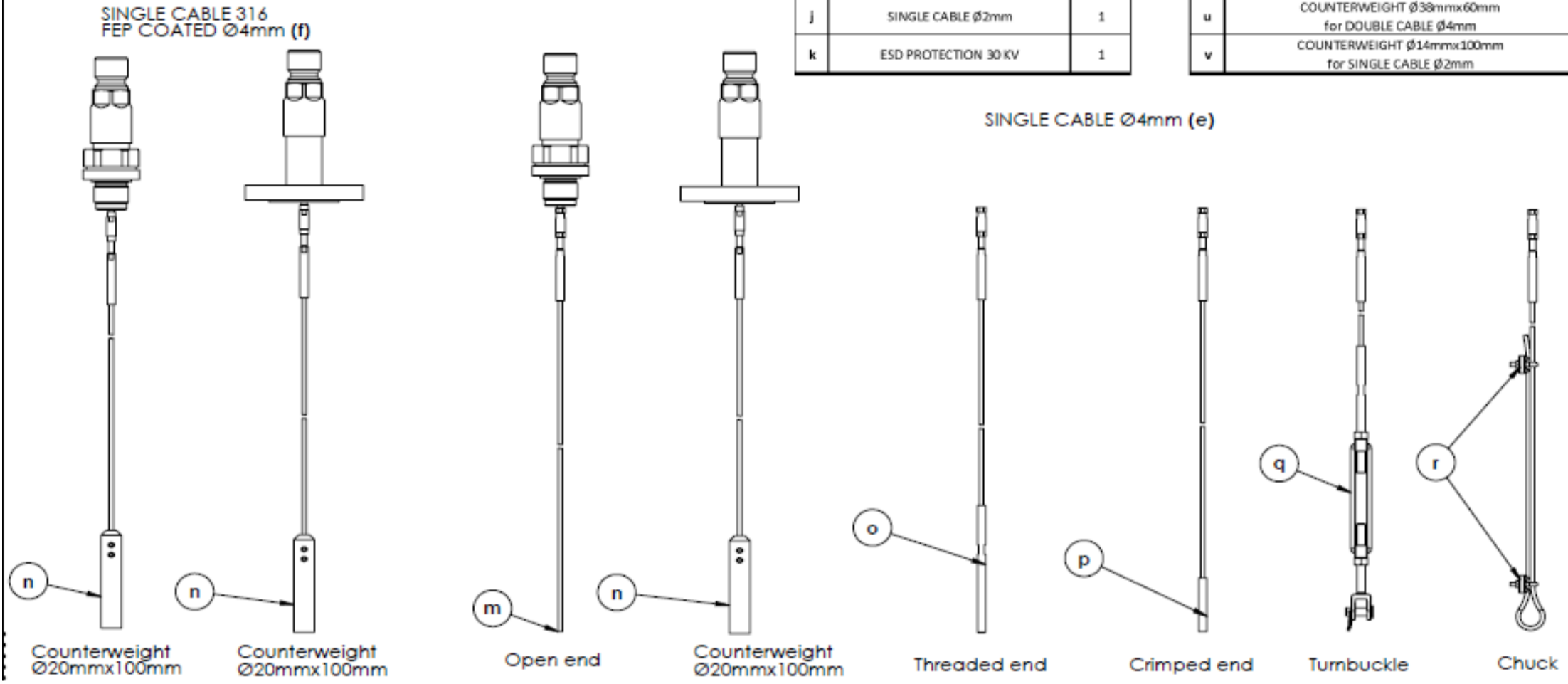
Rep.	Description	Quantity
a	COAX Ø22mm	1
b	SEGMENTED COAX Ø22mm	1
c	SINGLE ROD Ø8mm	1
d	SEGMENTED SINGLE ROD Ø8mm	1
e	SINGLE CABLE Ø4mm	1
f	SINGLE CABLE 316 FEP COATED Ø4mm	1
g	SINGLE CABLE Ø8mm	1
h	DOUBLE CABLE Ø4mm	1
i	DOUBLE ROD Ø8mm	1
j	SINGLE CABLE Ø2mm	1
k	ESD PROTECTION 30 KV	1

Rep.	Description	Quantity
l	METAGLAS SEALING	1
m	OPEN END SINGLE CABLE Ø4mm OR Ø8mm	1
n	COUNTERWEIGHT Ø20mmx100mm for SINGLE CABLE Ø4mm	1
o	THREADED END for SINGLE CABLE	1
p	CRIMPED END for SINGLE CABLE	1
q	TURNBUCKLE for SINGLE CABLE	1
r	CHUCK for SINGLE CABLE	1
s	COUNTERWEIGHT Ø12mmx100mm for SINGLE Ø8mm	1
t	COUNTERWEIGHT Ø38mmx245mm for SINGLE Ø8mm	1
u	COUNTERWEIGHT Ø38mmx60mm for DOUBLE CABLE Ø4mm	1
v	COUNTERWEIGHT Ø14mmx100mm for SINGLE CABLE Ø2mm	1



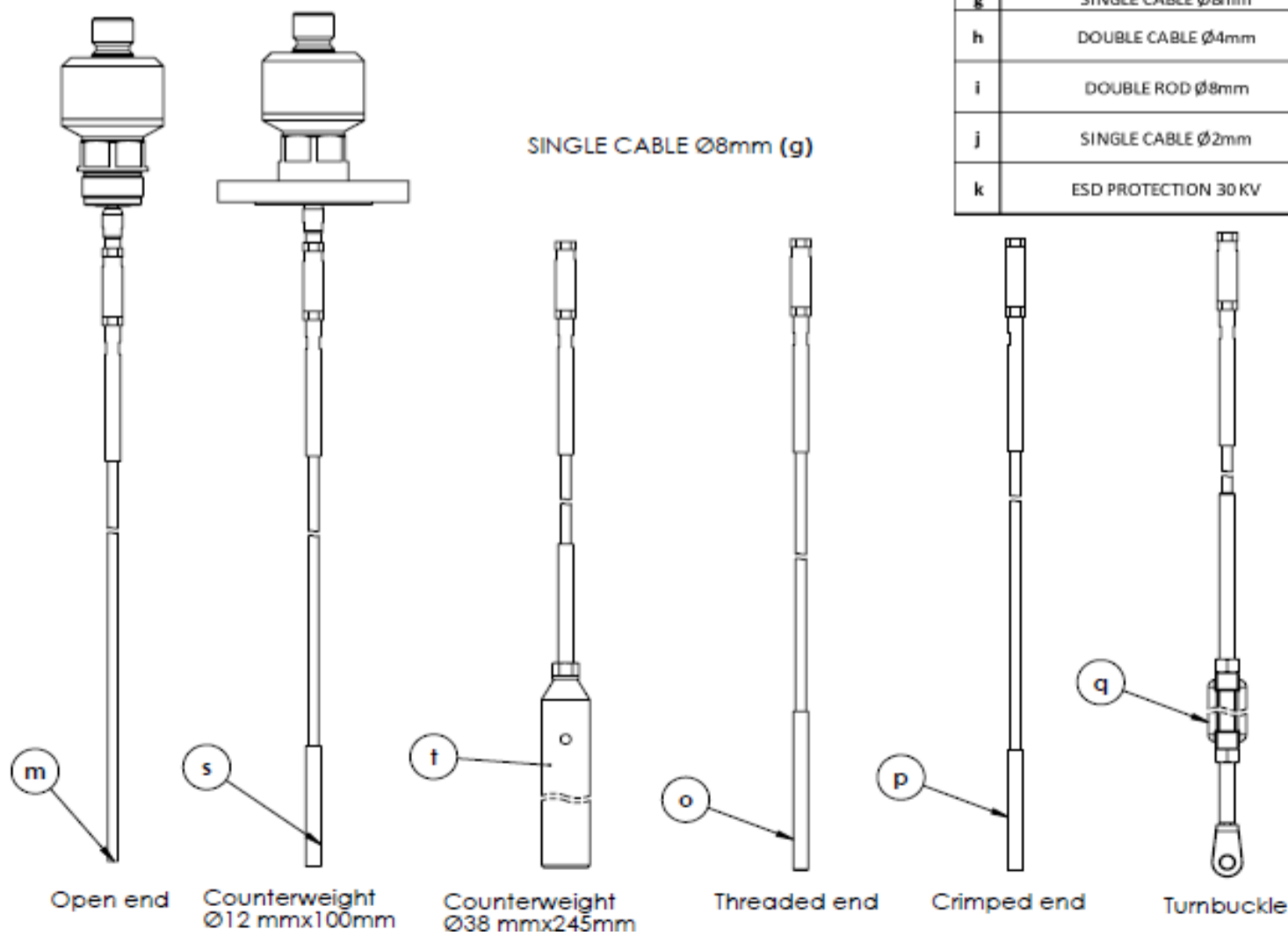
Rep.	Description	Quantity
a	COAX Ø22mm	1
b	SEGMENTED COAX Ø22mm	1
c	SINGLE ROD Ø8mm	1
d	SEGMENTED SINGLE ROD Ø8mm	1
e	SINGLE CABLE Ø4mm	1
f	SINGLE CABLE 316 FEP COATED Ø4mm	1
g	SINGLE CABLE Ø8mm	1
h	DOUBLE CABLE Ø4mm	1
i	DOUBLE ROD Ø8mm	1
j	SINGLE CABLE Ø2mm	1
k	ESD PROTECTION 30 KV	1

Rep.	Description	Quantity
l	METAGLAS SEALING	1
m	OPEN END SINGLE CABLE Ø4mm OR Ø8mm	1
n	COUNTERWEIGHT Ø20mmx100mm for SINGLE CABLE Ø4mm	1
o	THREADED END for SINGLE CABLE	1
p	CRIMPED END for SINGLE CABLE	1
q	TURNBUCKLE for SINGLE CABLE	1
r	CHUCK for SINGLE CABLE	1
s	COUNTERWEIGHT Ø12mmx100mm for SINGLE Ø8mm	1
t	COUNTERWEIGHT Ø38mmx245mm for SINGLE Ø8mm	1
u	COUNTERWEIGHT Ø38mmx60mm for DOUBLE CABLE Ø4mm	1
v	COUNTERWEIGHT Ø14mmx100mm for SINGLE CABLE Ø2mm	1

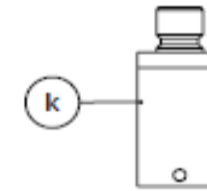


Rep.	Description	Quantity
a	COAX Ø22mm	1
b	SEGMENTED COAX Ø22mm	1
c	SINGLE ROD Ø8mm	1
d	SEGMENTED SINGLE ROD Ø8mm	1
e	SINGLE CABLE Ø4mm	1
f	SINGLE CABLE 316 FEP COATED Ø4mm	1
g	SINGLE CABLE Ø8mm	1
h	DOUBLE CABLE Ø4mm	1
i	DOUBLE ROD Ø8mm	1
j	SINGLE CABLE Ø2mm	1
k	ESD PROTECTION 30 KV	1

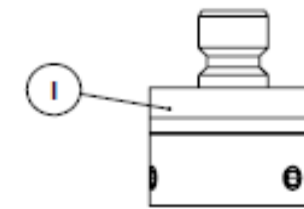
Rep.	Description	Quantity
l	METAGLAS SEALING	1
m	OPEN END SINGLE CABLE Ø4mm OR Ø8mm	1
n	COUNTERWEIGHT Ø20mmx100mm for SINGLE CABLE Ø4mm	1
o	THREADED END for SINGLE CABLE	1
p	CRIMPED END for SINGLE CABLE	1
q	TURNBUCKLE for SINGLE CABLE	1
r	CHUCK for SINGLE CABLE	1
s	COUNTERWEIGHT Ø12mmx100mm for SINGLE Ø8mm	1
t	COUNTERWEIGHT Ø38mmx245mm for SINGLE Ø8mm	1
u	COUNTERWEIGHT Ø38mmx60mm for DOUBLE CABLE Ø4mm	1
v	COUNTERWEIGHT Ø14mmx100mm for SINGLE CABLE Ø2mm	1



ESD PROTECTION 30KV (k)



METAGLAS SEALING (l)

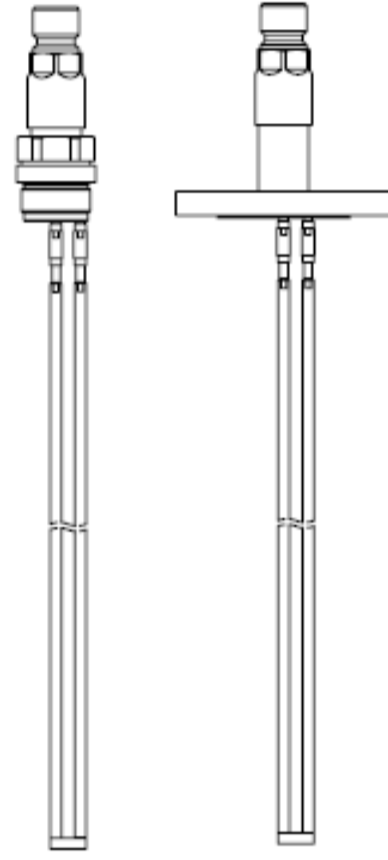
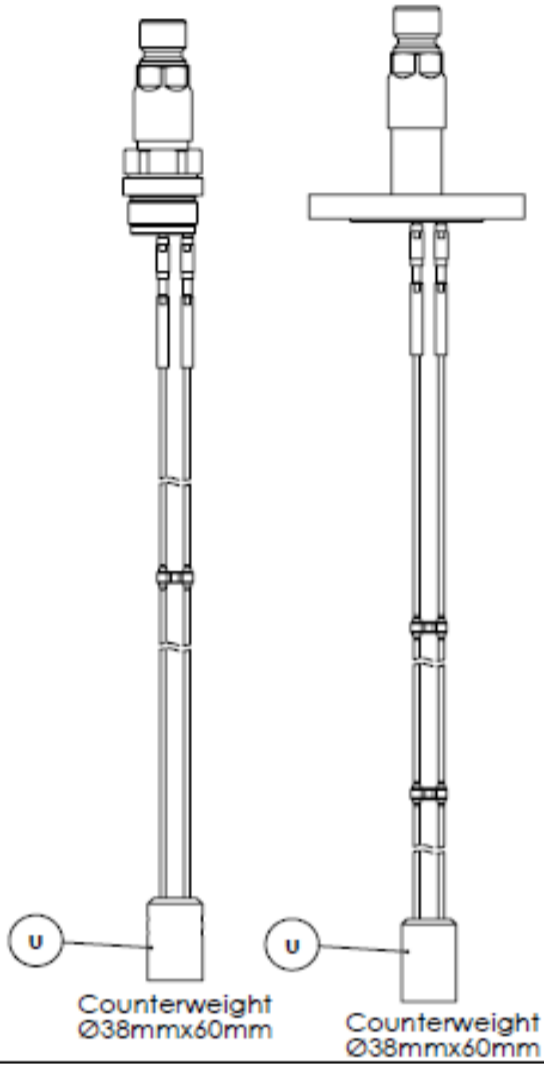


Rep.	Description	Quantity
a	COAX Ø22mm	1
b	SEGMENTED COAX Ø22mm	1
c	SINGLE ROD Ø8mm	1
d	SEGMENTED SINGLE ROD Ø8mm	1
e	SINGLE CABLE Ø4mm	1
f	SINGLE CABLE 316 FEP COATED Ø4mm	1
g	SINGLE CABLE Ø8mm	1
h	DOUBLE CABLE Ø4mm	1
i	DOUBLE ROD Ø8mm	1
j	SINGLE CABLE Ø2mm	1
k	ESD PROTECTION 30KV	1

Rep.	Description	Quantity
l	METAGLAS SEALING	1
m	OPEN END SINGLE CABLE Ø4mm OR Ø8mm	1
n	COUNTERWEIGHT Ø20mmx100mm for SINGLE CABLE Ø4mm	1
o	THREADED END for SINGLE CABLE	1
p	CRIMPED END for SINGLE CABLE	1
q	TURNBUCKLE for SINGLE CABLE	1
r	CHUCK for SINGLE CABLE	1
s	COUNTERWEIGHT Ø12mmx100mm for SINGLE Ø8mm	1
t	COUNTERWEIGHT Ø38mmx245mm for SINGLE Ø8mm	1
u	COUNTERWEIGHT Ø38mmx60mm for DOUBLE CABLE Ø4mm	1
v	COUNTERWEIGHT Ø14mmx100mm for SINGLE CABLE Ø2mm	1

DOUBLE CABLE Ø4mm (h)

DOUBLE ROD Ø8mm(i)



u Counterweight Ø38mmx60mm

u Counterweight Ø38mmx60mm