

## XYR 6000 Wireless Transmitters Display/Sensor replacement kit

**Document Number** Form: 34-XY-33-04  
Effective Date: 10/18/2011  
Supersedes: 6/27/2008

### Summary

Enclosed is a replacement display/sensor and WBSN label for your XYR 6000 transmitter.

<u>Part No.</u>	<u>Qty.</u>	<u>Description</u>
50015866-x01	1	Temperature FHSS CL 1, Div 2
50015866-x02	1	Pressure FHSS CL 1, Div 2
50015866-x03	1	High Level Analog Input FHSS CL 1, Div 2
50015866-x04	1	Corrosion FHSS CL 1, Div 2
50015866-x05	1	Temperature FHSS Intrinsically Safe
50015866-x06	1	Pressure FHSS Intrinsically Safe
50015866-x07	1	High Level Analog FHSS Input Intrinsically Safe
50015866-x08	1	Corrosion FHSS Intrinsically Safe
50015866-x09	1	Temperature (DSSS*) Intrinsically Safe
50015866-x10	1	Pressure (DSSS*) Intrinsically Safe
50015866-x11	1	High Level Analog Input (DSSS*) Intrinsically Safe
50015866-x12	1	Corrosion (DSSS*) Intrinsically Safe
50015866-x13	1	Temperature DI FHSS Intrinsically Safe
50015866-x14	1	Temperature DI (DSSS*) Intrinsically Safe
50015866-x15	1	Multiple DI's FHSS Intrinsically Safe
50015866-x16	1	Multiple DI's (DSSS*) Intrinsically Safe
50015866-x17	1	Temperature DI FHSS CL 1, Div 2
50015866-x18	1	Multiple DI's FHSS CL 1, Div 2
50015866-x19	1	Corrosion DSSS Intrinsically Safe
50015866-x20	1	STUW700 AI/DI DSSS Intrinsically Safe
50015866-x21	1	STUW701 AI/DI/DO DSSS Intrinsically Safe
50015866-x22	1	Pressure ISA100.11a Intrinsically Safe
50015866-x23	1	High Level Analog Input ISA100.11a Intrinsically Safe
50015866-x24	1	Temperature DI ISA100.11a Intrinsically Safe
50015866-x25	1	STUW700 AI/DI ISA100.11a Intrinsically Safe
50015866-x26	1	STUW701 AI/DI/DO ISA100.11a Intrinsically Safe
50015866-x27	1	Corrosion ISA100.11a Intrinsically Safe

x = part no. identifier

\*DSSS = Direct Sequence Spread Spectrum

## Admonishments



### WARNING

Risk of death or serious injury by explosion. Do not open transmitter enclosure when an explosive gas atmosphere is present.



### CAUTION

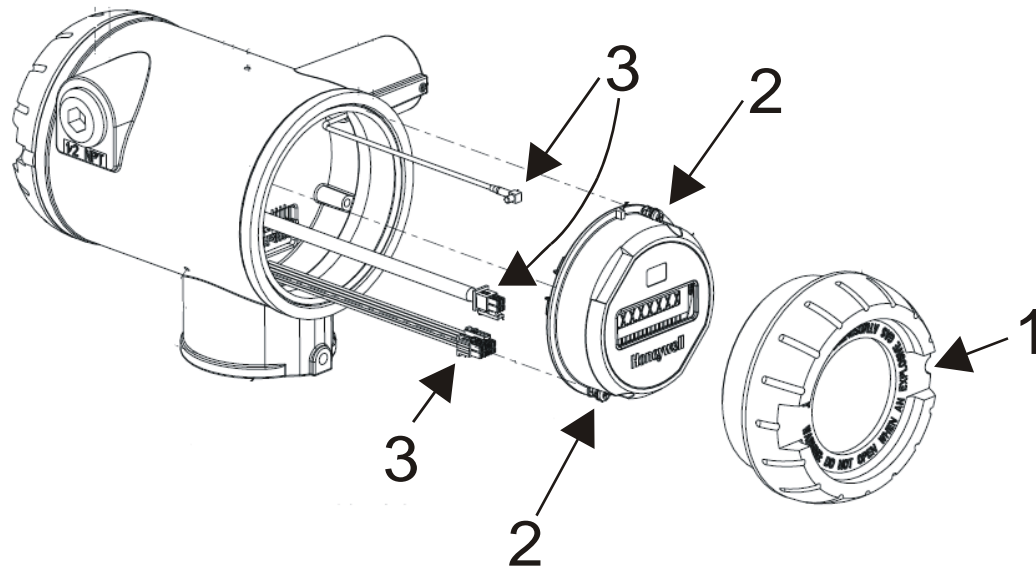
Take precautions against electrostatic discharge to prevent damaging the display/sensor module.

## Tools required

- #1 Phillips Screwdriver or 1/8" Slotted Screwdriver
- Torque Screwdriver
- 1.5 mm hex key

## Procedure

It is the User/Installer's responsibility to install the XYR 6000 Wireless Transmitters in accordance with national and local code requirements.



**Figure 1 Display/sensor module removal and replacement**

**Table 1 Display/sensor module replacement**

Step	Action
1	Honeywell recommends that the transmitter be removed from service and moved to a clean area before servicing.
2	Loosen the M3 locking set screw on the display end-cap. See item 1 in Figure 1. Unscrew and remove the end cap.
3	Loosen the two screws on the display/sensor module. See items 2 in Figure 1.

**Step**

**Action**

- 4 Disconnect each connector on the display/sensor module. See items 3 in Figure 1.
- 5 Install new sensor module. Be sure to orient display/sensor module in the proper viewing orientation before tightening two sensor compartment screws.

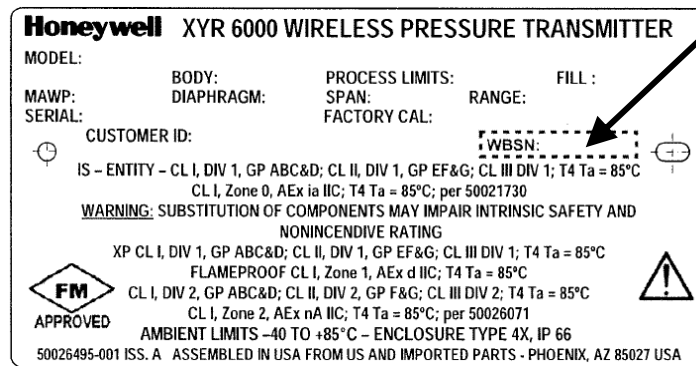
Reverse steps 1-4.

Torque screws to 0,4 – 0,6 N-M (3.5 – 5.3 Lb-in).

Honeywell recommends lubricating the end cap O-ring with a Silicone Grease such as Dow Corning #55 or equivalent before replacing the end cap.

- 6 Clean nameplate and affix WBSN label to it.

WBSN = 8 digit Wireless Builder Serial Number



- 7 Return transmitter to service.