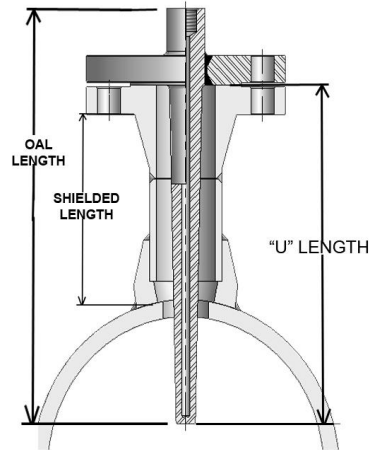


Honeywell

Thermowell Wake Frequency Calculation

In accordance with ASME PTC-19.3-TW-2010



* Required Fields

Note: Additional data is not required but will result in more accurate calculations. If a viscosity is not given, a default value of 0.0171 centipoise will be used. Maximum fluid temperature restricted to upper temperature limits of thermowell material as listed in ASME B31.1

Tag Number:
Process Fluid:
* Fluid Velocity (ft/s or m/s):
* Fluid Density (lb/ft ³ or g/cm ³):
* Fluid Temperature (°F or °C):
* Gauge Pressure (psig or Pa):
Viscosity (centipoise):
Pipe Size/Schedule (NPS):
Shielded Length: