

iText - Programmable Text HMI



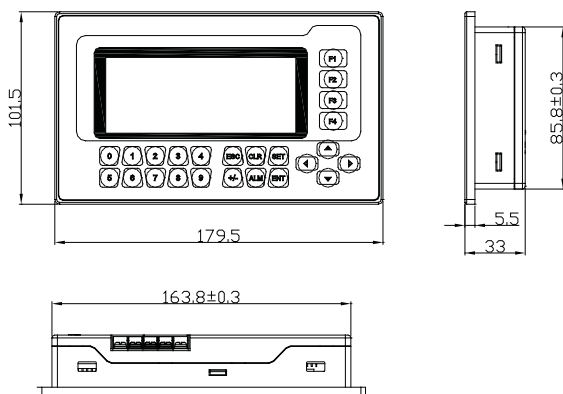
- Can be used with a range of PLC'S
- 4.3" monochromatic display, 192 x 64 pixels, olive background
- 24 Addressable function keys
- Support Modbus RTU protocol
- 2 Communication Port (RS 232/RS 422/RS 485)
- 20.4 - 26.4 VDC Power Supply
- Free Configuration Software
- RS 232 Programming Cable



General Specification

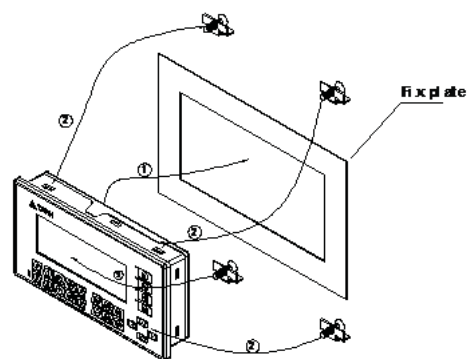
Power	DC24V -15%~ +10%
Dimension	179.5 x 101.5 x 33mm
Operation Temperature	0°C~55°C
Altitude	No higher than 2000m
Relative Humidity	10%~95% no dew
Storage - Temperature	-40°C~70°C
Pollution Level	Pollute level 2
Vibration	5≤f≤9Hz 1.75mm range shaking 9≤f≤150Hz 0.5g shaking
Strike	3 Vertical directions 15g, 11mS
Storage - Fall down freely	With Transport Packing - 1M With Production Packing - 0.3M

Dimensions



TOP VIEW

Installation



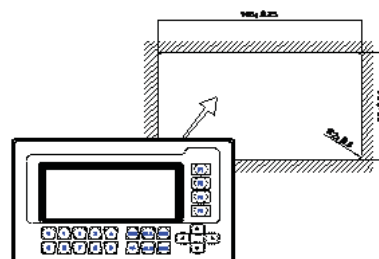
Download Cable - PinOuts

Max. Length - 1800mm

iText	Pin	Pin	PC
RX	2	3	Tx
TX	3	2	Rx
	4	4	
GND	5	5	GND

D-Sub 9 Pin
Femal

D-Sub 9 Pin
Femal



iText

The iText 10 monochrome HMI offers a simple but powerful user interface for the iSmart programmable logic relay. Monitor data registers in real time, change parameters, perform switching functions, list alarms and transfer data.

- 192 x 64 pixel display
- 24-key keypad
- Two serial ports:
 - COM1 supports programming and point-to-point communications.
 - RS485 supports multi-drop networks
- Supports modbus RTU
- Password protection
- Import bitmaps
- Offline program simulation
- Bar graphs, trend charts, alarm logging

Programme the iText using simple fill in the blank object windows. Establish network links to remote devices. Create dynamic text, trend charts, bar graphs, alarm logs and more. View and verify your program in simulation mode.

Options & Ordering

Part Number	Description
iText	4.3" Monochrome Graphic Panel, 192 x 64 pixels, 4 function Keys, Numeric Keypad, 2 serial ports 24VDC input power
iText-Prg	Cable (9-pin serial, PC to 9-pin serial, OP10)
iTextconfig	Programming software FREE via download
PC501	USB to Serial (DB-9 male) converter cable
SMT-PL03	iText to iSmart cable

General Specification

Power	DC24V, -15% - +10%
Current Consumption	80mA Max
Approvals	UL, CE
Communication Interface	COM1: (9-pin, D-SUB, female) RS-232/422; RS485: terminal screws
Environmental Rating	IP65 (front of panel)
Maximum Devices	8 without repeater; 255 with repeater
Dimensions	179.5 x 101.5 x 33mm (7.07 x 4.00 x s.30")
Weight	460g (~1 lb)

Environmental

Operating Temperature	0°C ~ 55°C (32°F ~ 131°F)
Storage Temperature	-40°C ~ 70°C (-40°F ~ 158°F)
Relative Humidity	10% ~ 95%, non-condensing
Vibration	1.75mm displacement, 5 - 9Hz
Impact	15G, 11ms, vertical from X, Y, Z directions

New iText



Communication with one iSmart via programming port



Multi-drop Modbus communications over RS485 network



Dimensions



Free Software

